




**PAGID**

BRAKE SYSTEMS

## **HIGH-CARBON BRAKE DISCS**







AHEAD OF THE CURVE  
**HIGH-CARBON BRAKE DISCS**





The fantastic success of the HELLA PAGID partner concept is primarily seen as a result of three key factors: the original equipment (OE) quality it provides, its diverse product range, and the innovative solutions it offers. Our product range has been expanded to include high-carbon brake discs – an impressive addition that will ensure our recipe for success is upheld. Many of today's original equipment manufacturers consider, high-carbon brake discs to be standard.

HELLA PAGID was one of the first to identify this trend, was able to react to it more quickly than others, and with immediate effect, is providing its high-carbon brake discs through the independent spare parts trade too. This new range of brake discs has been developed specifically with premium and high-performance European vehicles in mind.

As these brake discs contain a significantly higher proportion of carbon, they are more than a match for even the most punishing loads and deliver impressive performance every

time, with maximum possible braking power as well as outstanding driving and braking comfort. No doubt about it: With these high-carbon brake discs, HELLA PAGID is staying firmly ahead of the field – and delivering a premium product for even the most discerning customers.



# AN IMPRESSIVE DIVERSITY ADVANTAGES AT A GLANCE

## Reduced braking noise

Optimum silencing properties thanks to a higher proportion of carbon.

## Less fading

Optimum braking power even in extreme situations, thanks to the faster heat dissipation properties of the high-strength gray cast iron.

## Less lateral runout

The improved thermal conductivity of the high-carbon material reduces deformation. The result: fewer vibrations. Quiet braking.

## Reliable protection

The lacquering permanently protects the pan and outer ring against corrosion and is also resistant to rim cleaner.

## OE standard

The high-carbon material lives up to OE quality standards.

## Enhanced braking comfort

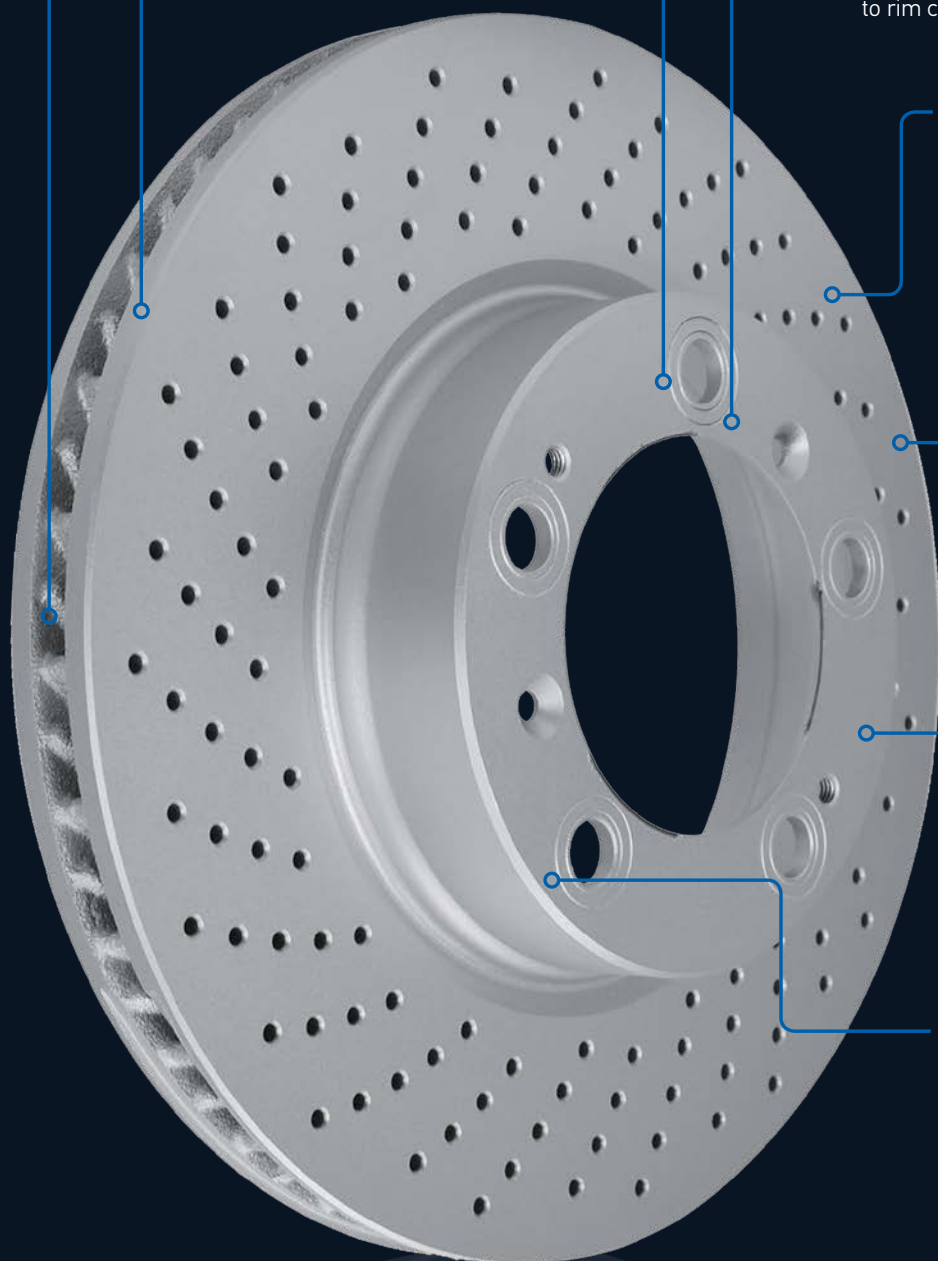
Ideal tolerance values make braking safer and more direct.

## Time-saving installation

Thanks to the coating, there is no need to remove any preservative oil. As a result, the brake disc is ready for immediate installation.

## Environmentally friendly coating

The coating is made from a special water-based lacquer that is completely harmless to the environment.



# CARBON

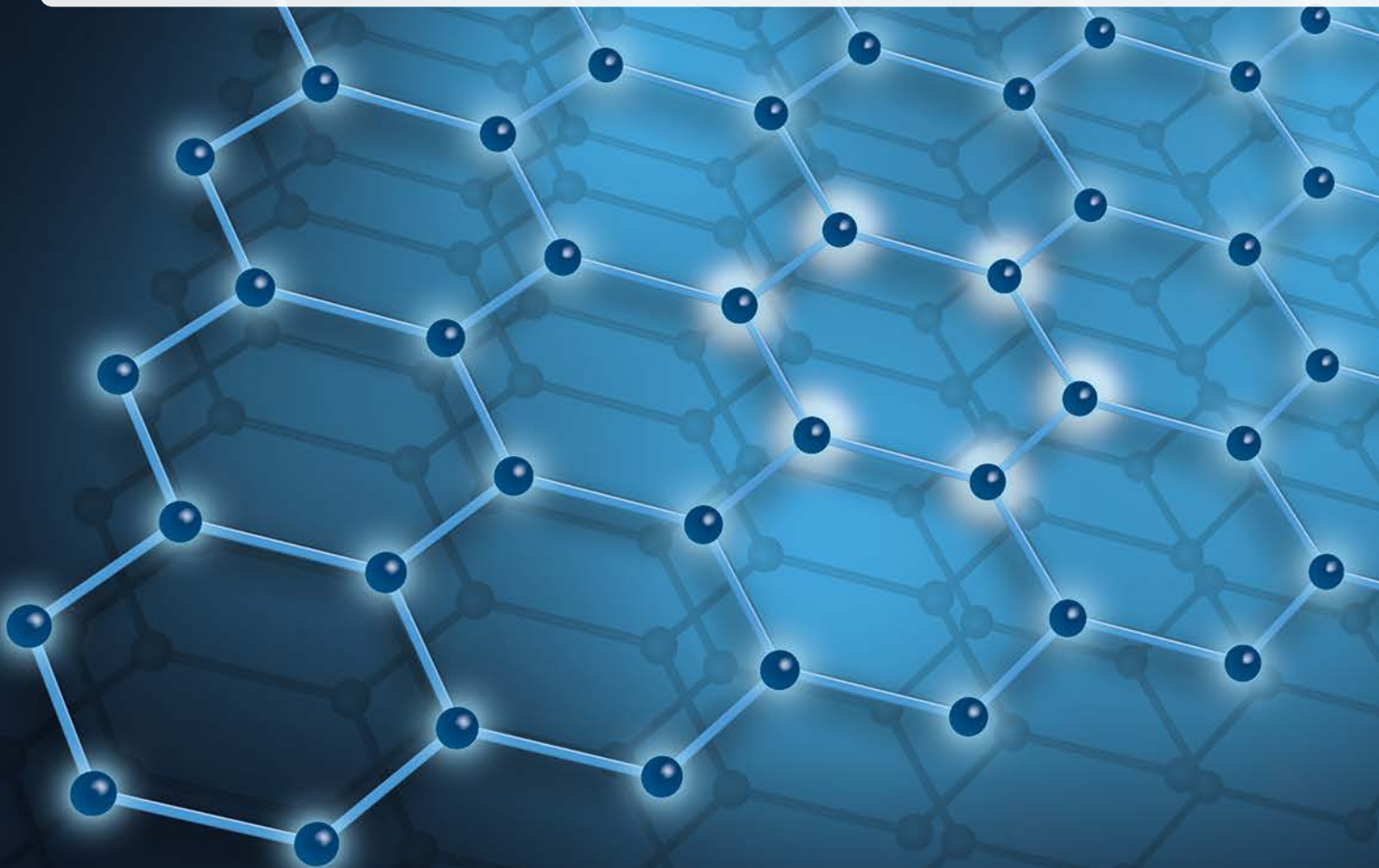
## THE ELEMENT OF LIFE

It's difficult to imagine our lives without carbon. With every piece of living tissue composed of carbon compounds, it is this element that is at the very center of all life on our planet. As a free or pure element, carbon manifests itself in many forms, ranging from diamond (hard) all the way to graphite (soft).

However, its particular electron configuration also gives it the ability to form complex molecules. The element is characterized by excellent thermal conductivity, exceptional hardness and unusual softness. And it is precisely these outstanding – and sometimes contrasting – properties that make HELLA PAGID high-carbon brake discs, with their increased proportion of carbon, so unique.



**To ensure the best possible friction pairing, HELLA PAGID high-carbon brake discs should always be replaced in pairs with HELLA PAGID brake pads.**





# ONLY THE BEST IS GOOD ENOUGH

## EXCLUSIVE FEATURES AND BENEFITS

In designing and developing its product portfolio, HELLA PAGID consistently demonstrates that efficiency, speed, the needs of the market, and – above all – the interests of our partners working in garage and aftermarket contexts are at the top of the agenda. These guiding principles are exactly what drives the development of our high-carbon brake disc product range too. Our products, designed for highly specialized premium and performance vehicles, are key ingredients in our recipe for success. But just as important is the enhanced provision of services we offer, which keeps pace with the latest trends in the original equipment industry – meaning precisely tailored advantages for driving and braking comfort as well as original equipment-level quality in both materials and design. Last but not least, Carbonic brake discs from HELLA PAGID give their target group – drivers of premium European vehicles – what they really want: maximum performance, elegance, and an exquisite sense of exclusiveness thanks to the coating.

Optimized thermal conductivity, exceptional damping properties, and environmentally sound protective lacquering are just some of the standout features of our high-carbon brake discs. Uncompromising machining tolerances provide ideal complements to these characteristics. The disc thickness variation, concentricity, and imbalance values of HELLA PAGID high-carbon brake discs are without equal in this class – and that results in unsurpassed comfort, maximum braking performance, and outstanding safety.

The current portfolio of lacquered high-carbon brake discs is designed to cater for the needs of today's European premium vehicles and sports cars. With the aim of reflecting current trends on the original equipment market, however, the HELLA PAGID range is continually being expanded.

High-carbon brake discs are mainly installed on the front axle. Where required, HELLA PAGID high-carbon brake discs are supplied complete with fixing screws – a practical addition that makes installation easier.

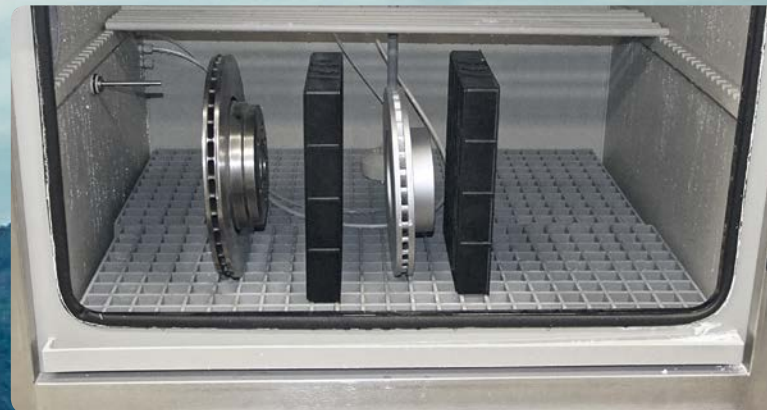


# QUALITY ASSURANCE PROGRESS THROUGH STRESS TEST

**The distinction between first class and mediocre is best expressed by the word "quality". For HELLA PAGID, even the most stringent demands on quality must be fulfilled and clearly defined product characteristics complied with as a matter of course. We deliver tried-and-tested, reliable safety and high performance – and that's a guarantee of quality we apply to all our products.**

By using effective testing methods in our dedicated research and development centers, we can ensure that our products meet regulations set out by vehicle and brake manufacturers as well as standards and requirement specifications. In turn, this guarantees the utmost in safety and comfort.

**One example:** Neutral salt spray fog testing (to DIN EN ISO 9227). This standardized test procedure sets out to examine and evaluate the corrosion protection effect that certain types of coating or lacquering provide. This is also the case with our coated high-carbon brake discs when compared to non-coated standard brake discs. To do this, an atmosphere that encourages rust formation is created in a special chamber. The brake discs are sprayed with a sodium chloride solution over a period of 72 to 96 hours. Even after just 24 hours, the corrosion protection delivered by our high-carbon brake discs is clear to see: The environmentally friendly lacquering that these high-carbon brake discs feature provides ideal protection against rusting, both in the bowl area and on the contact face. Not only does this ensure a perfect look is maintained, but it also serves as further proof of HELLA PAGID's ability to meet highest quality standards.



Test setup before and during testing

**HELLA PAGID GmbH**

Lüschershofstraße 80

45356 Essen, Germany

[www.hella-pagid.com](http://www.hella-pagid.com)

[service@hella-pagid.com](mailto:service@hella-pagid.com)

© HELLA PAGID GmbH

03.18

Sachliche und preisliche Änderungen vorbehalten

Printed in Germany