



BRAKE SYSTEMS

**BRAKE PADS FOR THE  
PORSCHE PANAMERA  
SPORT TURISMO AND  
FOR ADDITIONAL MODELS**

**NEW**  
**TO MARKET**

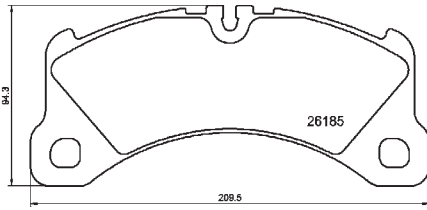


Hella Pagid Brake Systems is one of the leading providers of brake systems in the independent aftermarket, supplying an extensive range of products. We now also offer our outstanding technology, meeting the toughest demands, for the Porsche Panamera Sport Turismo. Here, you'll find a brief overview of the relevant article numbers and models.

Long article number	Short article number	Product	Vehicle NEW / New-to-Market	Years of Production
8DB 355 040-201	T2704	Brake Pads FA	PANAMERA SPORT TURISMO (971); PANAMERA (971); MACAN (95B)	02/14 –

**RELIANCE. TRUST. PERFORMANCE.**

# BRAKE PADS FA



An exceptionally wide range of more than 14,000 products in four areas – brake hydraulics, wearing parts, fluids & chemicals and accessories – sets HELLA PAGID apart.

All our products are notable for their high level of safety, comfort and durability. Almost 100 % of existing European vehicles are covered by HELLA PAGID brake pads and brake discs – a clear indication of our aspiration to achieve perfection and of the quality of our products.

And because safety is paramount in braking systems, we work hard to continually update our range of products, anticipating technological developments well in advance.

## OE-References:

95B698151A; 95B698151G; 971698151AA

BRAND	MODEL	YEARS OF PRODUCTION
PORSCHE	<b>PANAMERA SPORT TURISMO (971)</b>	<b>05/17 –</b>
	2.9 4	05/17 –
	3.0 4	05/17 –
	2.9 4S E-Hybrid	08/20 –
	<b>PANAMERA (971)</b>	<b>05/16 –</b>
	2.9	04/19 –
	2.9 4	05/16 –
	2.9 4 E-Hybrid	05/16 –
	2.9 4S	05/16 –
	2.9 4S E-Hybrid	08/20 –
	3.0	05/16 –
	3.0 4	05/16 –
	4.0 GTS	08/20 –
	4.0 Turbo	05/16 –
	4.0 Turbo S	08/20 –
	4.0 Turbo S E-Hybrid	05/17 –
	4.0 S 4 Diesel	05/16 –
	<b>MACAN (95B)</b>	<b>02/14 – 09/18</b>
	3.0 S	02/14 – 09/18



BRAKE SYSTEMS

**BRAKE PADS FOR THE  
TESLA MODEL 3 AND  
FOR ADDITIONAL MODELS**

**NEW**  
**TO MARKET**

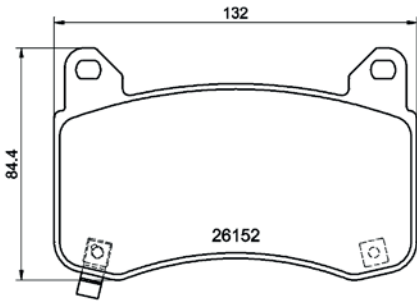


Hella Pagid Brake Systems is one of the leading providers of brake systems in the independent aftermarket, supplying an extensive range of products. We now also offer our outstanding technology, meeting the toughest demands, for the TESLA MODEL 3. Here, you'll find a brief overview of the relevant article numbers and models.

Long article number	Short article number	Product	Vehicle NEW / New-to-Market	Years of Production
8DB 355 040-901	T2897	Brake Pads FA	MODEL 3 (5YJ3); MODEL Y (5YJY)	01/17 –

**RELIANCE. TRUST. PERFORMANCE.**

# BRAKE PADS FA



An exceptionally wide range of more than 14,000 products in four areas – brake hydraulics, wearing parts, fluids & chemicals and accessories – sets HELLA PAGID apart.

All our products are notable for their high level of safety, comfort and durability. Almost 100 % of existing European vehicles are covered by HELLA PAGID brake pads and brake discs – a clear indication of our aspiration to achieve perfection and of the quality of our products.

And because safety is paramount in braking systems, we work hard to continually update our range of products, anticipating technological developments well in advance.

**OE-References:**

**800824200A; 800824200C; 800824200D**

BRAND	MODEL	YEARS OF PRODUCTION
TESLA	<b>MODEL 3 (5YJ3)</b>	<b>01/17 –</b>
	EV	01/17 –
	EV AWD	06/18 –
	EV Performance AWD	06/18 –
	<b>MODEL Y (5YJY)</b>	
	EV	03/19 –
	EV AWD	03/19 –
	EV Performance	03/19 –



BRAKE SYSTEMS

**BRAKE PADS FOR THE  
MERCEDES-BENZ EQC  
AND FOR ADDITIONAL  
MODELS**

**NEW**  
**TO MARKET**

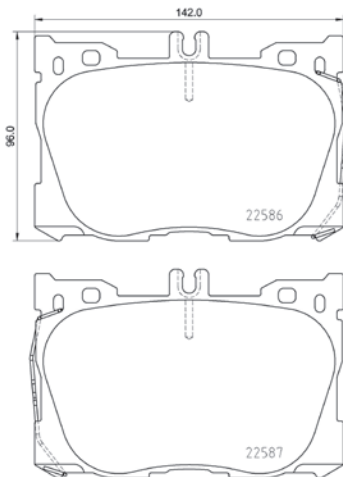


Hella Pagid Brake Systems is one of the leading providers of brake systems in the independent aftermarket, supplying an extensive range of products. We now also offer our outstanding technology, meeting the toughest demands, for the MERCEDES-BENZ EQC. Here, you'll find a brief overview of the relevant article numbers and models.

Long article number	Short article number	Product	Vehicle NEW / New-to-Market	Years of Production
8DB 355 031-701	T2556	Brake Pads FA	C-CLASS (W205); C-CLASS Convertible (A205); C-CLASS Coupe (C205); C-CLASS T-Model (S205); CLS (C257); E-CLASS (W213); E-CLASS All-Terrain (S213); E-CLASS Convertible (A238); E-CLASS Coupe (C238); E-CLASS T-Model (S213); EQC (N293); GLC (X253); GLC Coupe (C253)	07/13 –

**RELIANCE. TRUST. PERFORMANCE.**

# BRAKE PADS FA



An exceptionally wide range of more than 14,000 products in four areas – brake hydraulics, wearing parts, fluids & chemicals and accessories – sets HELLA PAGID apart.

All our products are notable for their high level of safety, comfort and durability. Almost 100 % of existing European vehicles are covered by HELLA PAGID brake pads and brake discs – a clear indication of our aspiration to achieve perfection and of the quality of our products.

And because safety is paramount in braking systems, we work hard to continually update our range of products, anticipating technological developments well in advance.

## OE-References :

0004204900; 0004205000; 0004207900; 0004209000; A0004204900; A0004205000; A0004207900; A0004209000

BRAND	MODEL	YEARS OF PRODUCTION
<b>MERCEDES-BENZ</b>	<b>C-Class (W205)</b>	<b>04/15 –</b>
	C 450 AMG 4-matic	04/15 – 05/18
	AMG C 43 4-matic	04/16 –
	<b>C-Class Convertible (A205)</b>	<b>10/16 –</b>
	AMG C 43 4-matic	10/16 –
	<b>C-Class Coupe (C205)</b>	<b>04/16 –</b>
	AMG C 43 4-matic	04/16 –
	<b>C-Class T-Model (S205)</b>	<b>04/16 –</b>
	AMG C 43 4-matic	04/16 –
	<b>CLS (C257)</b>	<b>12/17 –</b>
	300 d	04/18 –
	300 d 4-matic	04/21 –
	350 EQ Boost	08/18 –
	350 EQ Boost 4-matic	08/18 –
	350 d	08/18 –
	350 d 4-matic	12/17 –
	400 d 4-matic	12/17 –
	450 EQ Boost 4-matic	12/17 –
	<b>E-Class (W213)</b>	<b>01/16 –</b>
	300	07/16 –
	300 EQ Boost	06/19 –
	300 de	10/18 –
	300 de 4-matic	06/20 –
	300 e	11/18 –
	350 EQ Boost	08/18 –
	350 d	01/16 –
	350 d 4-matic	06/17 – 05/18
	350 e	07/16 –
	400 4-matic	06/16 –
	400 d	12/18 –
	400 d 4-matic	04/18 –
	450 4-matic	08/18 –
	450 EQ Boost 4-matic	07/20 –
	AMG E 43 4-matic	07/16 –
	<b>E-Class All-Terrain (S213)</b>	<b>06/17 –</b>
	350 d 4-matic	06/17 –
	400 d 4-matic	08/18 –
	450 EQ Boost 4-matic	08/20 –
	<b>E-Class Convertible (A238)</b>	<b>06/17 –</b>
	300	06/17 –
	300 EQ Boost	06/19 –
	350 EQ Boost	10/17 –
	350 d	11/18 –
	350 d 4-matic	06/17 –
	400 4-matic	06/17 –
	400 d 4-matic	08/18 –
	450	07/20 –
	450 4-matic	08/18 –
	450 EQ Boost 4-matic	07/20 –
	<b>E-Class Coupe (C238)</b>	<b>12/16 –</b>
	300	12/16 –
	300 EQ Boost	06/19 –
	350 EQ Boost	10/17 –
	350 d	11/18 –
	350 d 4-matic	06/17 –
	400 4-matic	12/16 –

BRAND	MODEL	YEARS OF PRODUCTION
	400 d 4-matic	08/18 –
	450	07/20 –
	450 4-matic	08/18 –
	450 EQ Boost 4-matic	07/20 –
	<b>E-Class T-Model (S213)</b>	<b>10/16 –</b>
	300 EQ Boost	06/19 –
	300 de	10/18 –
	300 de 4-matic	08/20 –
	300 e	06/20 –
	350 d	10/16 –
	350 d 4-matic	06/17 –
	400 4-matic	10/16 –
	400 d	02/19 –
	400 d 4-matic	04/18 –
	450 4-matic	08/18 –
	450 EQ Boost	08/20 –
	AMG E 43 4-matic	10/16 –
	<b>EQC (N293)</b>	<b>05/19 –</b>
	400 4-matic	05/19 –
	<b>GLC (X253)</b>	<b>06/15 –</b>
	200 EQ Boost	04/19 –
	200 EQ Boost 4-matic	04/19 –
	200 d	04/19 –
	200 d 4-matic	04/19 –
	220 d	04/19 –
	220 d 4-matic	04/19 –
	250 4-matic	06/15 – 04/19
	250 d 4-matic	06/15 – 04/19
	300 4-matic	07/15 – 04/19
	300 EQ Boost 4-matic	04/19 –
	300 d 4-matic	04/19 –
	300 de 4-matic	05/20 –
	300 e 4-matic	11/19 –
	350 e 4-matic	01/16 – 04/19
	400 d 4-matic	08/19 –
	AMG 43 4-matic	04/16 –
	F-CELL 4-matic	04/20 –
	<b>GLC Coupe (C253)</b>	<b>06/16 –</b>
	200 EQ Boost	04/19 –
	200 EQ Boost 4-matic	04/19 –
	200 d	04/19 –
	200 d 4-matic	04/19 –
	220 d	04/19 –
	220 d 4-matic	06/16 –
	250 4-matic	06/16 – 04/19
	250 d 4-matic	06/16 – 04/19
	300 4-matic	10/16 –
	300 EQ Boost 4-matic	04/19 –
	300 d 4-matic	04/19 –
	300 de 4-matic	05/20 –
	300 e 4-matic	11/19 –
	350 d 4-matic	10/16 – 04/19
	350 e 4-matic	10/16 – 04/19
	400 d 4-matic	08/19 –
	AMG 43 4-matic	10/16 –



BRAKE SYSTEMS

HIGH-CARBON  
BRAKE DISC FOR THE  
MINI JOHN COOPER WORKS

**NEW**  
**TO MARKET**

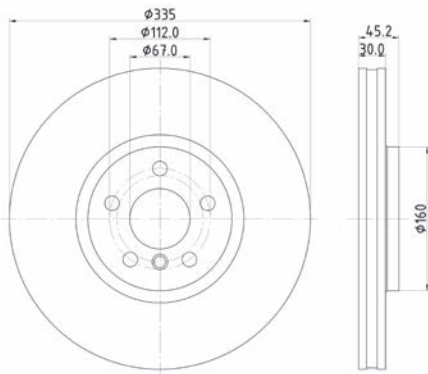


Hella Pagid Brake Systems is one of the leading providers of brake systems in the independent aftermarket, supplying an extensive range of products. We now also offer our outstanding technology, meeting the toughest demands, for the MINI John Cooper Works. Here, you'll find a brief overview of the relevant article numbers and models.

Long article number	Short article number	Product	Vehicle NEW / New-to-Market	Years of Production
8DD 355 133-111	56162PRO_HC	Brake Disc FA	MINI (F56) JCW; MINI CLUBMAN (F54) JCW; MINI Convertible (F57) JCW; MINI COUNTRYMAN (F60) JCW ALL4	03/15 –

**RELIANCE. TRUST. PERFORMANCE.**

# BRAKE DISC FA



An exceptionally wide range of more than 14,000 products in four areas – brake hydraulics, wearing parts, fluids & chemicals and accessories – sets HELLA PAGID apart.

All our products are notable for their high level of safety, comfort and durability. Almost 100 % of existing European vehicles are covered by HELLA PAGID brake pads and brake discs – a clear indication of our aspiration to achieve perfection and of the quality of our products.

And because safety is paramount in braking systems, we work hard to continually update our range of products, anticipating technological developments well in advance.

## OE-References:

34116865711; 34106881045

BRAND	MODEL	YEARS OF PRODUCTION
MINI	(F56)	03/15 –
	JCW	03/15 –
	<b>CLUBMAN (F54)</b>	<b>11/16 – 06/19</b>
	JCW	11/16 – 06/19
	<b>Convertible (F57)</b>	<b>05/15 –</b>
	JCW	05/15 –
	<b>COUNTRYMAN (F60)</b>	<b>03/17 – 06/19</b>
	JCW ALL4	03/17 – 06/19





BRAKE SYSTEMS

HIGH-CARBON BRAKE  
DISC FOR THE JAGUAR XE  
AND FOR ADDITIONAL  
MODELS

**NEW**  
**TO MARKET**

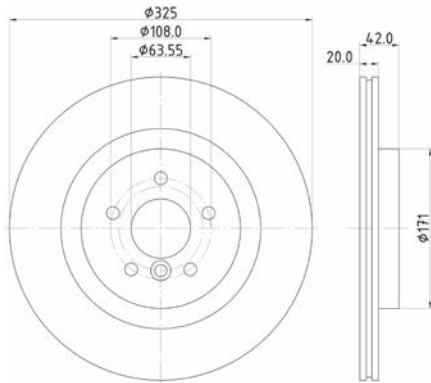


Hella Pagid Brake Systems is one of the leading providers of brake systems in the independent aftermarket, supplying an extensive range of products. We now also offer our outstanding technology, meeting the toughest demands, for the Jaguar XE. Here, you'll find a brief overview of the relevant article numbers and models.

Long article number	Short article number	Product	Vehicle NEW / New-to-Market	Years of Production
8DD 355 133-211	56181PRO_HC	Brake Disc RA	XE (X760); XF II (X260); XF SPORTBRAKE (X260)	03/15 –

**RELIANCE. TRUST. PERFORMANCE.**

# BRAKE DISC RA



An exceptionally wide range of more than 14,000 products in four areas – brake hydraulics, wearing parts, fluids & chemicals and accessories – sets HELLA PAGID apart.

All our products are notable for their high level of safety, comfort and durability. Almost 100% of existing European vehicles are covered by HELLA PAGID brake pads and brake discs – a clear indication of our aspiration to achieve perfection and of the quality of our products.

And because safety is paramount in braking systems, we work hard to continually update our range of products, anticipating technological developments well in advance.

**OE-Reference:**  
**T4N1744**

BRAND	MODEL	YEARS OF PRODUCTION
<b>JAGUAR</b>	<b>XE (X760)</b>	<b>03/15 –</b>
	2.0	03/15 –
	2.0 AWD	02/17 –
	3.0 S	03/15 –
	2.0 D	03/15 –
	2.0 D AWD	10/15 –
	2.0 D 200 MHEV	11/20 –
	2.0 D 200 MHEV AWD	11/20 –
	<b>XF II (X260)</b>	<b>05/15 –</b>
	2.0	05/15 –
	2.0 AWD	03/17 –
	3.0	05/15 –
	3.0 AWD	07/15 –
	2.0 D	05/15 –

BRAND	MODEL	YEARS OF PRODUCTION
	2.0 D AWD	03/16 –
	2.0 D 200 MHEV	11/20 –
	2.0 D 200 MHEV AWD	11/20 –
	3.0 D	05/15 –
	<b>XF SPORTBRAKE (X260)</b>	<b>07/17 –</b>
	2.0	07/17 –
	2.0 AWD	08/18 –
	3.0	07/17 –
	3.0 AWD	07/17 –
	2.0 D	07/17 –
	2.0 D AWD	07/17 –
	2.0 D 200 MHEV	11/20 –
	2.0 D 200 MHEV AWD	11/20 –
	3.0 D	07/17 –



BRAKE SYSTEMS

BRAKE PADS FOR THE  
ALFA ROMEO STELVIO  
AND FOR ADDITIONAL  
MODELS

**NEW**  
**TO MARKET**

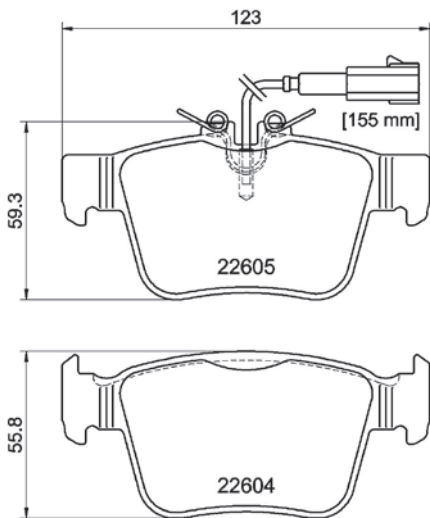


Hella Pagid Brake Systems is one of the leading providers of brake systems in the independent aftermarket, supplying an extensive range of products. We now also offer our outstanding technology, meeting the toughest demands, for the Alfa Romeo Stelvio. Here, you'll find a brief overview of the relevant article numbers and models.

Long article number	Short article number	Product	Vehicle NEW / New-to-Market	Years of Production
8DB 355 025-881	T4177	Brake Pads RA	STELVIO (949_); GIULIA (952_); MASERATI GHIBLI III (M157); MASERATI LEVANTE SUV (M161); MASERATI QUATTROPORTE VI	03/13 -

**RELIANCE. TRUST. PERFORMANCE.**

# BRAKE PADS RA



An exceptionally wide range of more than 14,000 products in four areas – brake hydraulics, wearing parts, fluids & chemicals and accessories – sets HELLA PAGID apart.

All our products are notable for their high level of safety, comfort and durability. Almost 100 % of existing European vehicles are covered by HELLA PAGID brake pads and brake discs – a clear indication of our aspiration to achieve perfection and of the quality of our products.

And because safety is paramount in braking systems, we work hard to continually update our range of products, anticipating technological developments well in advance.

## OE-References:

673004626; 68318394AA; 77367718

BRAND	MODEL	YEARS OF PRODUCTION
<b>ALFA ROMEO</b>	<b>STELVIO (949_)</b>	<b>12/16 –</b>
	2.0 Q4	12/16 –
	2.2 D	12/16 –
	2.2 D Q4	12/16 –
	2.2 JTDM Q4	08/18 –
	<b>GIULIA (952_)</b>	<b>10/15 –</b>
	2.0 Super	08/16 –
	2.0 Q4	08/16 –
	2.0 Veloce	08/16 –
	2.2 D	10/15 –
	2.2 D Q4	11/16 –

BRAND	MODEL	YEARS OF PRODUCTION
<b>MASERATI</b>	<b>GHIBLI III (M157)</b>	<b>08/13 –</b>
	3.0	08/13 –
	<b>LEVANTE SUV (M161)</b>	<b>06/16 –</b>
	3.0 Q4	06/16 –
	3.0 S Q4	06/16 –
	3.8 GTS Q4	08/19 –
	3.8 Trofeo Q4	10/19 –
	3.0 D Q4	06/16 –
	<b>QUATTROPORTE VI</b>	<b>03/13 –</b>
	3.0	03/13 –



BRAKE SYSTEMS

HIGH-CARBON  
BRAKE DISC FOR THE  
ALFA ROMEO GIULIA

**NEW**  
**TO MARKET**

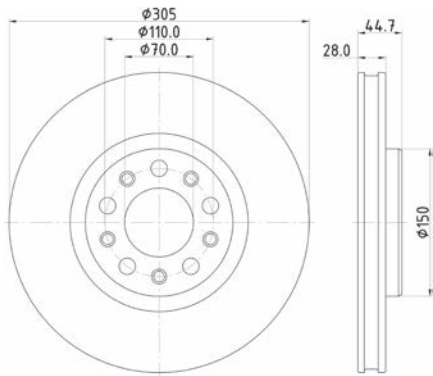


Hella Pagid Brake Systems is one of the leading providers of brake systems in the independent aftermarket, supplying an extensive range of products. We now also offer our outstanding technology, meeting the toughest demands, for the Alfa Romeo Giulia. Here, you'll find a brief overview of the relevant article numbers and models.

Long article number	Short article number	Product	Vehicle NEW / New-to-Market	Years of Production
8DD 355 133-701	56263PRO_HC	Brake Disc FA	GIULIA (952_)	10/15 -

**RELIANCE. TRUST. PERFORMANCE.**

# BRAKE DISC FA



An exceptionally wide range of more than 14,000 products in four areas – brake hydraulics, wearing parts, fluids & chemicals and accessories – sets HELLA PAGID apart.

All our products are notable for their high level of safety, comfort and durability. Almost 100 % of existing European vehicles are covered by HELLA PAGID brake pads and brake discs – a clear indication of our aspiration to achieve perfection and of the quality of our products.

And because safety is paramount in braking systems, we work hard to continually update our range of products, anticipating technological developments well in advance.

**OE-Reference:**  
**50532930**

BRAND	MODEL	YEARS OF PRODUCTION
ALFA ROMEO	GIULIA (952_)	10/15 –
	2.0 Super	08/16 –
	2.0 Q4	08/16 –
	2.0 Veloce	08/16 –
	2.2 D	10/15 –
	2.2 D Q4	04/17 –



BRAKE SYSTEMS

**BRAKE PADS FOR THE  
MERCEDES-BENZ  
A 35 AMG AND FOR  
ADDITIONAL MODELS**

**NEW**  
**TO MARKET**

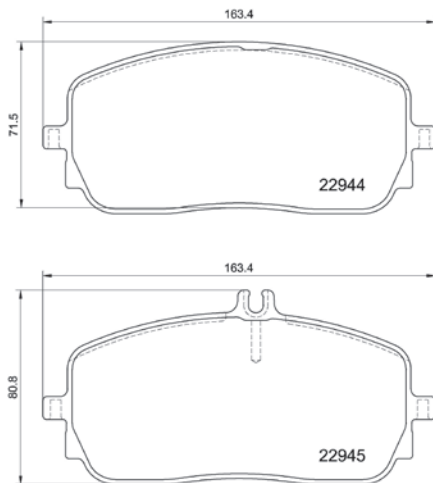


Hella Pagid Brake Systems is one of the leading providers of brake systems in the independent aftermarket, supplying an extensive range of products. We now also offer our outstanding technology, meeting the toughest demands, for the MERCEDES-BENZ A 35 AMG. Here, you'll find a brief overview of the relevant article numbers and models.

Long article number	Short article number	Product	Vehicle NEW / New-to-Market	Years of Production
8DB 355 039-011	T2799	Brake Pads FA	A-Class (W177); A-Class (V177); B-Class Sports Tourer (W247); CLA (C118); CLA Shooting Brake (X118); EQA (H243); GLA (H247); GLB (X247); GLE (V167); GLE Coupé (C167)	03/18 –

**RELIANCE. TRUST. PERFORMANCE.**

# BRAKE PADS FA



An exceptionally wide range of more than 14,000 products in four areas – brake hydraulics, wearing parts, fluids & chemicals and accessories – sets HELLA PAGID apart.

All our products are notable for their high level of safety, comfort and durability. Almost 100 % of existing European vehicles are covered by HELLA PAGID brake pads and brake discs – a clear indication of our aspiration to achieve perfection and of the quality of our products.

And because safety is paramount in braking systems, we work hard to continually update our range of products, anticipating technological developments well in advance.

## OE-Reference:

0004204802; 0004207200; 0004207400; 0004208002; A0004204802; A0004207200; A0004207400; A0004208002

BRAND	MODEL	YEARS OF PRODUCTION
<b>MERCEDES-BENZ</b>	<b>A-Class (W177)</b>	<b>03/18 –</b>
	A 160	06/18 –
	A 160 d	05/19 –
	A 180	06/18 –
	A 180 d	03/18 –
	A 200	03/18 –
	A 200 d	11/18 –
	A 200 d 4-matic	10/19 –
	A 220	07/18 –
	A 220 4-matic	07/18 – 10/19
	A 220 d	11/18 –
	A 220 d 4-matic	10/19 –
	A 250	03/18 –
	A 250 4-matic	07/18 –
	A 250 e	08/19 –
	AMG A 35 4-matic	09/18 –
	AMG A 45 4-matic+	07/19 –
	AMG A 45 S 4-matic+	07/19 –
	<b>A-Class (V177)</b>	<b>09/18 –</b>
	A 160 d	10/19 –
	A 180	04/19 –
	A 180 d	09/18 –
	A 200	09/18 –
	A 200 d	08/19 –
	A 200 d 4-matic	10/19 –
	A 220	01/19 –
	A 220 4-matic	09/18 –
	A 220 d	08/19 –
	A 220 d 4-matic	10/19 –
	A 250	09/18 –
	A 250 4-matic	09/18 –
	A 250 e	08/19 –
	AMG A 35 4-matic	03/19 –
	<b>B-Class Sports Tourer (W247)</b>	<b>12/18 –</b>
	B 160	04/19 –
	B 160 d	05/19 –
	B 180	12/18 –
	B 180 d	12/18 –
	B 200	12/18 –
	B 200 d	12/18 –
	B 200 d 4-matic	10/19 –
	B 220	04/19 –
	B 220 4-matic	01/19 –
	B 220 d	12/18 –
	B 220 d 4-matic	10/19 –
	B 250	01/19 –
	B 250 4-matic	01/19 –
	B 250 e	06/20 –
	<b>CLA (C118)</b>	<b>03/19 –</b>
	CLA 180	03/19 –
	CLA 180 d	03/19 –

BRAND	MODEL	YEARS OF PRODUCTION
	CLA 200	03/19 –
	CLA 200 4-matic	10/20 –
	CLA 200 d	04/19 –
	CLA 220	03/19 –
	CLA 220 4-matic	03/19 –
	CLA 220 d	04/19 –
	CLA 250	03/19 –
	CLA 250 4-matic	03/19 –
	CLA 250 e	06/20 –
	AMG CLA 35 4-matic	04/19 –
	AMG CLA 45 4-matic+	07/19 –
	<b>CLA Shooting Brake (X118)</b>	<b>06/19 –</b>
	CLA 180	06/19 –
	CLA 180 d	06/19 –
	CLA 200	06/19 –
	CLA 200 4-matic	10/19 –
	CLA 200 d	06/19 –
	CLA 220	06/19 –
	CLA 220 d	06/19 –
	CLA 220 d 4-matic	10/19 –
	CLA 250	06/19 –
	CLA 250 4-matic	06/19 –
	CLA 250 e	06/20 –
	AMG CLA 35 4-matic	06/19 –
	<b>EQA (H243)</b>	<b>02/21 –</b>
	EQA 250	02/21 –
	EQA 300 4-matic	05/21 –
	EQA 350 4-matic	05/21 –
	<b>GLA (H247)</b>	<b>02/20 –</b>
	GLA 180	07/20 –
	GLA 180 d	03/20 –
	GLA 200	02/20 –
	AMG A 35 4-matic	06/20 –
	AMG A 45 4-matic+	06/20 –
	AMG A 45 S 4-matic+	06/20 –
	<b>GLB (X247)</b>	<b>08/19 –</b>
	GLB 180 d	08/19 –
	GLB 200	08/19 –
	GLB 200 d	08/19 –
	GLB 200 d 4-matic	08/19 –
	GLB 220 d	12/19 –
	GLB 220 d 4-matic	08/19 –
	GLB 250	12/19 –
	GLB 250 4-matic	08/19 –
	AMG A 35 4-matic	08/19 –
	<b>GLE (V167)</b>	<b>10/18 –</b>
	GLE 300 d 4-matic	10/18 –
	GLE 350 d 4-matic	12/18 –
	GLE 400 d 4-matic	12/18 –
	<b>GLE Coupé (C167)</b>	<b>11/19 –</b>
	GLE 400 d 4-matic	11/19 –





BRAKE SYSTEMS

**BRAKE PADS FOR THE  
AUDI RS3 QUATTRO  
AND FOR ADDITIONAL  
MODELS**

**NEW**  
**TO MARKET**

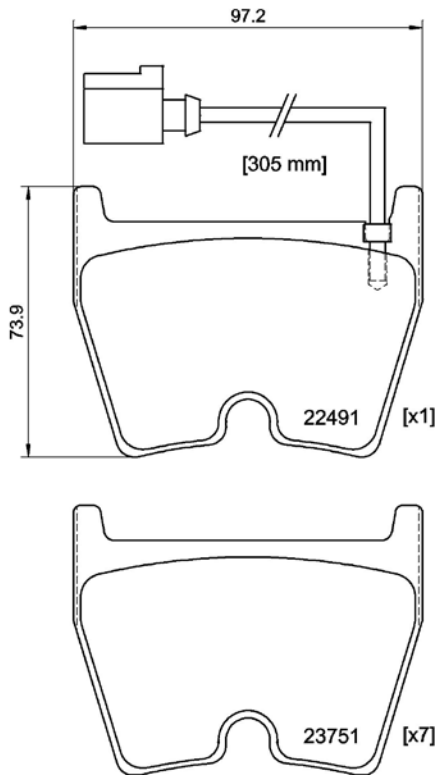


Hella Pagid Brake Systems is one of the leading providers of brake systems in the independent aftermarket, supplying an extensive range of products. We now also offer our outstanding technology, meeting the toughest demands, for the AUDI RS3 quattro. Here, you'll find a brief overview of the relevant article numbers and models.

Long article number	Short article number	Product	Vehicle NEW / New-to-Market	Years of Production
8DB 355 025-171	T2581	Brake Pads FA	A3 Sedan RS3 quattro (8VS, 8VM); A3 Sportback RS3 quattro (8VA, 8VF); Q3 RS 2.5 quattro (8UB, 8UG); TT (FV3, FVP); TT Roadster (FV9, FVR)	10/13 –

**RELIANCE. TRUST. PERFORMANCE.**

# BRAKE PADS FA



An exceptionally wide range of more than 14,000 products in four areas – brake hydraulics, wearing parts, fluids & chemicals and accessories – sets HELLA PAGID apart.

All our products are notable for their high level of safety, comfort and durability. Almost 100% of existing European vehicles are covered by HELLA PAGID brake pads and brake discs – a clear indication of our aspiration to achieve perfection and of the quality of our products.

And because safety is paramount in braking systems, we work hard to continually update our range of products, anticipating technological developments well in advance.

**OE-Reference:**

8U0698151F; 8U0698151G; 8U0698151H; 8U0698151J; 8V0698151F; 8V0698151K; 8V0698151M; 8V0698151N; 8V0698151L

BRAND	MODEL	YEARS OF PRODUCTION
AUDI	A3 Sedan (8VS, 8VM)	04/17 –
	RS3 quattro	04/17 –
	A3 Sportback (8VA, 8VF)	03/15 –
	RS3 quattro	03/15 –
	Q3 (8UB, 8UG)	10/13 – 10/18
	RS 2.5 quattro	10/13 – 10/18
	TT (FV3, FVP)	07/14 –
	1.8 TFSI	07/15 – 08/18
	2.0 TDI	07/14 –
	2.0 TDI quattro	01/17 –
	2.0 TFSI	07/14 –

BRAND	MODEL	YEARS OF PRODUCTION
	2.0 TFSI quattro	07/14 –
	2.5 RS quattro	10/16 –
	TT Roadster (FV9, FVR)	11/14 –
	1.8 TFSI	07/15 – 08/18
	2.0 TDI	11/14 –
	2.0 TDI quattro	01/17 –
	2.0 TFSI	11/14 –
	2.0 TFSI quattro	11/14 –
	2.0 TTS TFSI quattro	11/20 –
	2.5 RS quattro	10/16 –



BRAKE SYSTEMS

HIGH-CARBON  
BRAKE DISC FOR THE  
VOLVO XC90 II

**NEW**  
**TO MARKET**

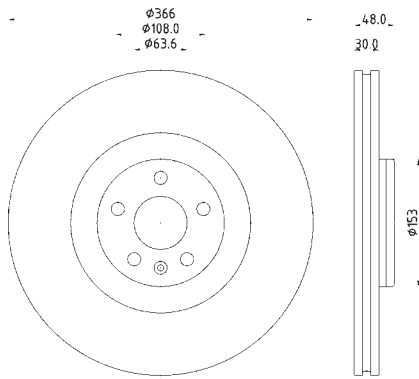


Hella Pagid Brake Systems is one of the leading providers of brake systems in the independent aftermarket, supplying an extensive range of products. We now also offer our outstanding technology, meeting the toughest demands, for the VOLVO XC90 II. Here, you'll find a brief overview of the relevant article numbers and models.

Long article number	Short article number	Product	Vehicle NEW / New-to-Market	Years of Production
8DD 355 132-411	56089PRO_HC	Brake Disc FA	XC90 II (256); XC60 II (246))	09/14 –

**RELIANCE. TRUST. PERFORMANCE.**

# BRAKE DISC FA



An exceptionally wide range of more than 14,000 products in four areas – brake hydraulics, wearing parts, fluids & chemicals and accessories – sets HELLA PAGID apart.

All our products are notable for their high level of safety, comfort and durability. Almost 100 % of existing European vehicles are covered by HELLA PAGID brake pads and brake discs – a clear indication of our aspiration to achieve perfection and of the quality of our products.

And because safety is paramount in braking systems, we work hard to continually update our range of products, anticipating technological developments well in advance.

**OE-Reference:**  
**31400569**

BRAND	MODEL	YEARS OF PRODUCTION
VOLVO	XC90 II (256)	09/14 –
	2.0 B5 Mild-Hybrid AWD	01/20 –
	2.0 D5 Polestar AWD	10/18 –
	2.0 T5 AWD	02/16 –
	2.0 T6 AWD	10/17 –
	2.0 T8 Hybrid AWD	04/18 –
	2.0 T8 Hybrid Polestar AWD	01/19 –
	B5 Mild-Hybrid AWD	04/19 –
	B6 Mild-Hybrid AWD	03/20 –
	D4	06/15 – 12/18
	D4 AWD	10/15 – 12/18
	D5 AWD	09/14 – 12/19
	D5 DRiVe Polestar AWD	03/16 –
	T5 AWD	06/15 – 12/18
	T5 Drive-E Polestar AWD	10/17 –
	T5 Polestar AWD	07/19 –
	T6 AWD	09/14 – 12/18
	T6 Polestar AWD	01/17 –
	T8 Hybrid AWD	06/15 – 12/18
	T8 Plug-in Hybrid Polestar AWD	06/15 –
	T8 Twin Engine AWD	06/19 –

BRAND	MODEL	YEARS OF PRODUCTION
VOLVO	XC 60 II (246)	03/17 –
	2.0 B4 Mild-Hybrid	09/19 –
	2.0 B4 Mild-Hybrid AWD	04/19 –
	2.0 B5 Mild-Hybrid	01/20 –
	2.0 B5 Mild-Hybrid AWD	01/20 –
	2.0 B6 Mild-Hybrid AWD	03/20 –
	2.0 D3	03/17 –
	2.0 D4	03/17 –
	2.0 D4 AWD	03/17 –
	2.0 D4 Polestar	01/19 –
	2.0 D4 Polestar AWD	01/19 –
	2.0 D5 AWD	03/17 –
	2.0 D5 Polestar AWD	10/18 –
	2.0 T4	09/18 –
	2.0 T5	03/17 –
	2.0 T5 AWD	03/17 –
	2.0 T6 AWD	03/17 –
	2.0 T6 Polestar AWD	03/17 –
	2.0 T8 Hybrid AWD	03/17 –
	2.0 T8 Hybrid Polestar AWD	01/19 –



BRAKE SYSTEMS

**BRAKE PADS FOR THE  
TOYOTA C-HR**

**NEW**  
**TO MARKET**

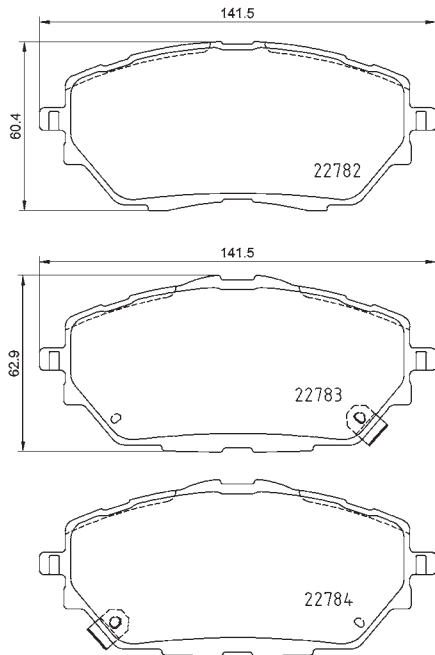


Hella Pagid Brake Systems is one of the leading providers of brake systems in the independent aftermarket, supplying an extensive range of products. We now also offer our outstanding technology, meeting the toughest demands, for the TOYOTA C-HR. Here, you'll find a brief overview of the relevant article numbers and models.

Long article number	Short article number	Product	Vehicle NEW / New-to-Market	Years of Production
8DB 355 037-761	T2687	Brake Pads FA	C-HR (_X1_); COROLLA Estate (_E21_); COROLLA Hatchback (_E21_)	10/16 –

**RELIANCE. TRUST. PERFORMANCE.**

# BRAKE PADS FA



An exceptionally wide range of more than 14,000 products in four areas – brake hydraulics, wearing parts, fluids & chemicals and accessories – sets HELLA PAGID apart.

All our products are notable for their high level of safety, comfort and durability. Almost 100% of existing European vehicles are covered by HELLA PAGID brake pads and brake discs – a clear indication of our aspiration to achieve perfection and of the quality of our products.

And because safety is paramount in braking systems, we work hard to continually update our range of products, anticipating technological developments well in advance.

## OE-References:

04465F4010; 04465F4020

BRAND	MODEL	YEARS OF PRODUCTION
TOYOTA	C-HR (_X1_)	10/16 –
	1.2	10/16 –
	1.2 4WD	10/16 –
	1.8 Hybrid	10/16 –
	2.0 Hybrid	10/19 –
	2.0 Hybrid	10/19 –
TOYOTA	COROLLA Estate (_E21_)	02/19 –
	2.0 Hybrid	02/19 –
TOYOTA	COROLLA Hatchback (_E21_)	02/19 –
	2.0 Hybrid	02/19 –



BRAKE SYSTEMS

**ONE-PIECE HIGH-CARBON  
BRAKE DISC FOR THE  
BMW 5 SERIES**

**NEW**  
**TO MARKET**

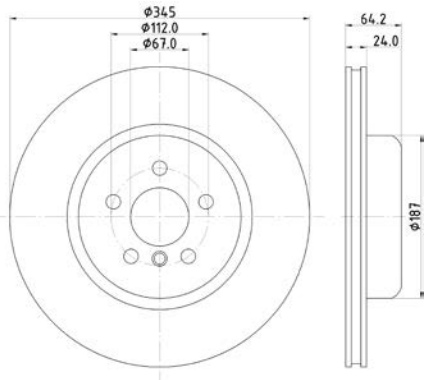


Hella Pagid Brake Systems is one of the leading providers of brake systems in the independent aftermarket, supplying an extensive range of products. We now also offer our outstanding technology, meeting the toughest demands, for the BMW 5 Series. Here, you'll find a brief overview of the relevant article numbers and models.\*

Long article number	Short article number	Product	Vehicle NEW / New-to-Market	Years of Production
8DD 355 133-031	56106PRO_HC	Brake Disc RA	3 (G20, G21); 5 (G30, G31); 6 GT (G32); 7 (G11, G12); 8 (G14, G15, G16); X3 (G01); X4 (G02); X5 (G05); X6 (G06); X7 (G07); Z4 (G29)	07/15 –

**RELIANCE. TRUST. PERFORMANCE.**

# BRAKE DISC RA



An exceptionally wide range of more than 14,000 products in four areas – brake hydraulics, wearing parts, fluids & chemicals and accessories – sets HELLA PAGID apart.

All our products are notable for their high level of safety, comfort and durability. Almost 100% of existing European vehicles are covered by HELLA PAGID brake pads and brake discs – a clear indication of our aspiration to achieve perfection and of the quality of our products.

And because safety is paramount in braking systems, we work hard to continually update our range of products, anticipating technological developments well in advance.

**OE-Numbers:**

**34206880079; 34216860925; 6860925; 6880079**

BRAND	MODEL	YEARS OF PRODUCTION
BMW	3 (G20, G21)	11/19 -
BMW	5 (G30, G31)	09/16 -
BMW	6 GT (G32)	06/17 -
BMW	7 (G11, G12)	07/15 -
BMW	8 (G14, G15, G16)	07/18 -
BMW	X3 (G01)	08/17 -
BMW	X4 (G02)	04/18 -
BMW	X5 (G05)	08/18 -
BMW	X6 (G06)	09/19 -
BMW	X7 (G07)	03/19 -
BMW	Z4 (G29)	11/18 -

\* For non-ECE countries only. An allocation of this article to all matching engine versions, exact vehicle specifications and approved countries can be found on [brakeguide.com](http://brakeguide.com).





BRAKE SYSTEMS

**BRAKE DISC FOR THE  
TESLA MODEL S**

**NEW**  
**TO MARKET**

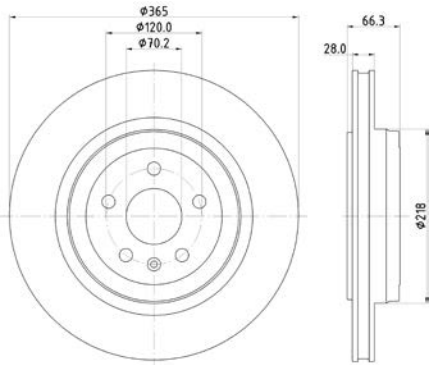


Hella Pagid Brake Systems is one of the leading providers of brake systems in the independent aftermarket, supplying an extensive range of products. We now also offer our outstanding technology, meeting the toughest demands, for the Tesla Model S. Here, you'll find a brief overview of the relevant article numbers and models.

Long article number	Short article number	Product	Vehicle NEW / New-to-Market	Years of Production
8DD 355 132-901	56138PRO	Brake Disc RA	Model S (5YJS); Model X (5YJX)	09/12 –

**RELIANCE. TRUST. PERFORMANCE.**

# BRAKE DISC RA



An exceptionally wide range of more than 14,000 products in four areas – brake hydraulics, wearing parts, fluids & chemicals and accessories – sets HELLA PAGID apart.

All our products are notable for their high level of safety, comfort and durability. Almost 100 % of existing European vehicles are covered by HELLA PAGID brake pads and brake discs – a clear indication of our aspiration to achieve perfection and of the quality of our products.

And because safety is paramount in braking systems, we work hard to continually update our range of products, anticipating technological developments well in advance.

**OE-Numbers:**  
**600643100D**

BRAND	MODEL	YEARS OF PRODUCTION
<b>TESLA</b>	<b>MODEL S (5YJS)</b>	<b>09/12 -</b>
	60	11/13 -
	60D AWD	06/16 -
	70	09/15 -
	70D AWD	04/15 -
	75	11/16 -
	75D AWD	06/16 -
	85	09/12 - 02/16
	85D AWD	10/14 - 02/16
	90D AWD	09/15 -
	100D AWD	06/17 -
	P85	11/13 - 12/14
	P85D AWD	10/14 - 02/16
	P90D AWD	09/15 -
	P100D AWD	10/16 -
<b>TESLA</b>	<b>MODEL X (5YJX)</b>	<b>10/16 -</b>
	P100D AWD	10/16 -



BRAKE SYSTEMS

**BRAKE DISC FOR THE  
TESLA MODEL X**

**NEW**  
**TO MARKET**

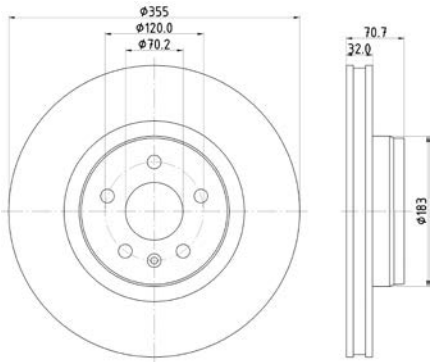


Hella Pagid Brake Systems is one of the leading providers of brake systems in the independent aftermarket, supplying an extensive range of products. We now also offer our outstanding technology, meeting the toughest demands, for the Tesla Model X. Here, you'll find a brief overview of the relevant article numbers and models.

Long article number	Short article number	Product	Vehicle NEW / New-to-Market	Years of Production
8DD 355 132-931	56139PRO_HC	Brake Disc FA	Model X (5YJX); Model S (5YJS)	09/15 –

**RELIANCE. TRUST. PERFORMANCE.**

# BRAKE DISC FA



An exceptionally wide range of more than 14,000 products in four areas – brake hydraulics, wearing parts, fluids & chemicals and accessories – sets HELLA PAGID apart.

All our products are notable for their high level of safety, comfort and durability. Almost 100 % of existing European vehicles are covered by HELLA PAGID brake pads and brake discs – a clear indication of our aspiration to achieve perfection and of the quality of our products.

And because safety is paramount in braking systems, we work hard to continually update our range of products, anticipating technological developments well in advance.

**OE-Numbers:**  
**102509900B**

BRAND	MODEL	YEARS OF PRODUCTION
<b>TESLA</b>	<b>MODEL X (5YJX)</b>	<b>09/15 -</b>
	60D AWD	06/16 -
	75D AWD	06/16 -
	90D AWD	09/15 -
	100D AWD	08/17 -
	P90D AWD	09/15 -
	P100D AWD	10/16 -
<b>TESLA</b>	<b>MODEL S (5YJS)</b>	<b>09/12 -</b>
	60	11/13 -
	60D AWD	06/16 -
	70	09/15 -
	70D AWD	04/15 -
	75	11/16 -
	75D AWD	06/16 -
	85	09/12 - 02/16
	85D AWD	10/14 - 02/16
	90D AWD	09/15 -
	100D AWD	06/17 -
	P85	11/13 - 12/14
	P85D AWD	10/14 - 02/16
	P90D AWD	09/15 -
	P100D AWD	10/16 -



BRAKE SYSTEMS

**HIGH-CARBON  
BRAKE DISC FOR THE  
MERCEDES-BENZ GLE COUPE**

**NEW**  
**TO MARKET**

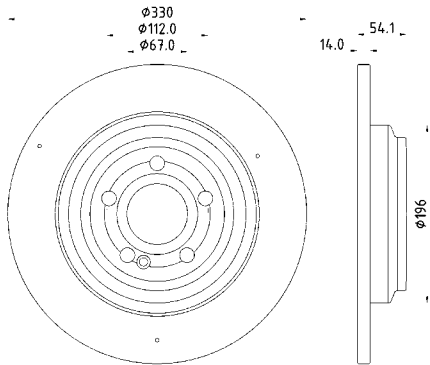


Hella Pagid Brake Systems is one of the leading providers of brake systems in the independent aftermarket, supplying an extensive range of products. We now also offer our outstanding technology, meeting the toughest demands, for the Mercedes-Benz GLE Coupé. Here, you'll find a brief overview of the relevant article numbers and models.

Long article number	Short article number	Product	Vehicle NEW / New-to-Market	Years of Production
8DD 355 132-311	56069PRO_HC	Brake Disc RA	GLE Coupé (C167), GLE (W167)	10/18 –

**RELIANCE. TRUST. PERFORMANCE.**

# BRAKE DISC RA



An exceptionally wide range of more than 14,000 products in four areas – brake hydraulics, wearing parts, fluids & chemicals and accessories – sets HELLA PAGID apart.

All our products are notable for their high level of safety, comfort and durability. Almost 100 % of existing European vehicles are covered by HELLA PAGID brake pads and brake discs – a clear indication of our aspiration to achieve perfection and of the quality of our products.

And because safety is paramount in braking systems, we work hard to continually update our range of products, anticipating technological developments well in advance.

**OE-Numbers:**

**1674238700; A1674238700**

BRAND	MODEL	YEARS OF PRODUCTION
<b>MERCEDES-BENZ</b>	<b>GLE (W167)</b>	<b>10/18 -</b>
	300 d 4-matic	10/18 -
	350 d 4-matic	12/18 -
	400 d 4-matic	12/18 -
<b>MERCEDES-BENZ</b>	<b>GLE (C167)</b>	<b>11/19 -</b>
	350 d 4-matic	11/19 -



BRAKE SYSTEMS

**HIGH-CARBON  
BRAKE DISC FOR THE  
JAGUAR F-PACE**

**NEW**  
**TO MARKET**

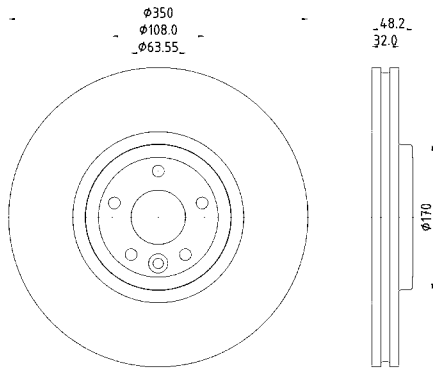


Hella Pagid Brake Systems is one of the leading providers of brake systems in the independent aftermarket, supplying an extensive range of products. We now also offer our outstanding technology, meeting the toughest demands, for the Jaguar F-PACE. Here, you'll find a brief overview of the relevant article numbers and models.

Long article number	Short article number	Product	Vehicle NEW / New-to-Market	Years of Production
8DD 355 132-481	56082PRO_HC	Brake Disc FA	Jaguar F-Pace (X761)	09/15 -

**RELIANCE. TRUST. PERFORMANCE.**

# BRAKE DISC FA



An exceptionally wide range of more than 14,000 products in four areas – brake hydraulics, wearing parts, fluids & chemicals and accessories – sets HELLA PAGID apart.

All our products are notable for their high level of safety, comfort and durability. Almost 100 % of existing European vehicles are covered by HELLA PAGID brake pads and brake discs – a clear indication of our aspiration to achieve perfection and of the quality of our products.

And because safety is paramount in braking systems, we work hard to continually update our range of products, anticipating technological developments well in advance.

## OE-Numbers:

T4A2343

BRAND	MODEL	YEARS OF PRODUCTION
JAGUAR	F-PACE (X761)	09/15 –
	2.0 Ti4	09/17 –
	2.0 Ti4 AWD	06/17 –
	2.0 TD4	09/15 –
	2.0 TD4 AWD	09/15 –
	2.0 SD4 AWD	09/17 –
	3.0 SCV6 AWD	09/15 –
	3.0 SDV6 AWD	09/15 –





**PAGID**

BRAKE SYSTEMS

**BRAKE PADS FOR THE  
BMW i3**

**NEW**  
**TO MARKET**

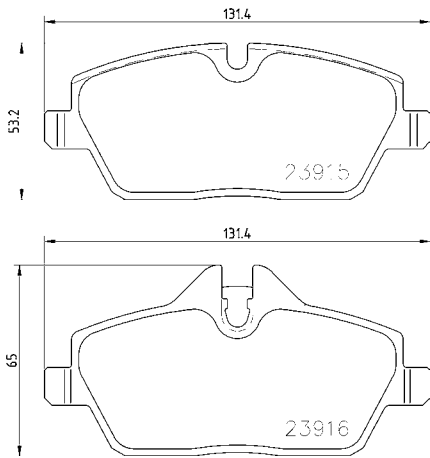


Hella Pagid Brake Systems is one of the leading providers of brake systems in the independent aftermarket, supplying an extensive range of products. We now also offer our outstanding technology, meeting the toughest demands, for the BMW i3. Here, you'll find a brief overview of the relevant article numbers and models.

Long article number	Short article number	Product	Vehicle NEW / New-to-Market	Years of Production
8DB 355 021-881	T2398	Brake Pads FA	i3 (I01)	08/13 –

**RELIANCE. TRUST. PERFORMANCE.**

# BRAKE PADS FA



An exceptionally wide range of more than 14,000 products in four areas – brake hydraulics, wearing parts, fluids & chemicals and accessories – sets HELLA PAGID apart.

All our products are notable for their high level of safety, comfort and durability. Almost 100% of existing European vehicles are covered by HELLA PAGID brake pads and brake discs – a clear indication of our aspiration to achieve perfection and of the quality of our products.

And because safety is paramount in braking systems, we work hard to continually update our range of products, anticipating technological developments well in advance.

## OE-Numbers:

34106884267, 34116862309

BRAND	MODEL	YEARS OF PRODUCTION
BMW	i3 (I01)	08/13 –
	i3 Electric	08/13 –
	i3 Range Extender	08/13 –
	i3 s Electric	11/17 –
	i3 s Range Extender	11/17 –



BRAKE SYSTEMS

**BRAKE PADS FOR THE  
VOLVO S90 II**

**NEW**  
**TO MARKET**

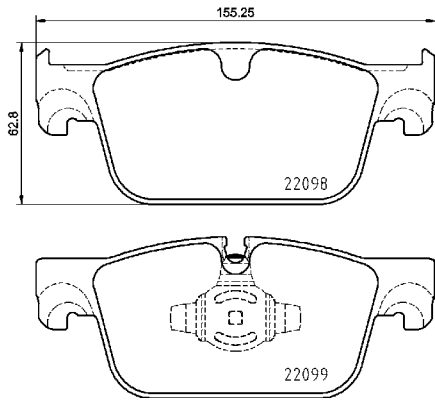


Hella Pagid Brake Systems is one of the leading providers of brake systems in the independent aftermarket, supplying an extensive range of products. We now also offer our outstanding technology, meeting the toughest demands, for the Volvo S90 II. Here, you'll find a brief overview of the relevant article numbers and models.

Long article number	Short article number	Product	Vehicle NEW / New-to-Market	Years of Production
8DB 355 025-531	T4173	Brake Pads FA	S90 II (234); V60 II (225); V90 II Estate (235, 236); XC60 II (246)	03/16 –

**RELIANCE. TRUST. PERFORMANCE.**

# BRAKE PADS FA



An exceptionally wide range of more than 14,000 products in four areas – brake hydraulics, wearing parts, fluids & chemicals and accessories – sets HELLA PAGID apart.

All our products are notable for their high level of safety, comfort and durability. Almost 100% of existing European vehicles are covered by HELLA PAGID brake pads and brake discs – a clear indication of our aspiration to achieve perfection and of the quality of our products.

And because safety is paramount in braking systems, we work hard to continually update our range of products, anticipating technological developments well in advance.

## OE-Numbers:

31423651, 31423652, 31658359

BRAND	MODEL	YEARS OF PRODUCTION
<b>VOLVO</b>	<b>S 90 II (234)</b>	<b>03/16 –</b>
	2.0 T4	10/17 –
	2.0 T8 Hybrid AWD	04/18 –
	2.0 T8 Hybrid Polestar AWD	01/19 –
	2.0 T6 AWD	03/16 –
	2.0 Hybrid AWD	10/17 –
	2.0 T5	03/16 –
	2.0 D3	03/16 –
	2.0 D4	03/16 –
	2.0 D4 AWD	03/16 –
	2.0 D5 AWD	03/16 –
	<b>V60 II (225)</b>	<b>02/18 –</b>
	2.0 T6 AWD	02/18 –
	D3	02/18 –
	D3 AWD	09/18 –
	D4 AWD	09/18 –
	D4 Polestar	02/18 –
	<b>V90 II Estate (235, 236)</b>	<b>03/16 –</b>
	2.0 T4	10/17 –
	2.0 T5	03/16 –
	2.0 T5 AWD	03/16 –
	2.0 T8 Hybrid AWD	04/18 –
	2.0 T6 AWD	03/16 –
	2.0 Polestar AWD	10/16 –
	2.0 D3	03/16 –
	2.0 D3 AWD	03/16 –
	2.0 D4	03/16 –
	2.0 D4 AWD	03/16 –
	2.0 D5 AWD	10/16 –
	2.0 Hybrid AWD	03/16 –

BRAND	MODEL	YEARS OF PRODUCTION
	<b>XC60 II (246)</b>	<b>03/17 –</b>
	2.0 T4	09/18 –
	2.0 T5	10/17 –
	2.0 T5 AWD	10/17 –
	2.0 T8 Hybrid AWD	03/17 –
	2.0 T8 Hybrid Polestar AWD	01/19 –
	2.0 T6 AWD	10/17 –
	2.0 D3	03/17 –
	2.0 D4	03/17 –
	2.0 D4 AWD	03/17 –
	2.0 D4 Polestar AWD	01/19 –
	2.0 D5 AWD	03/17 –



BRAKE SYSTEMS

**BRAKE PADS FOR THE  
PORSCHE 911**

**NEW**  
**TO MARKET**

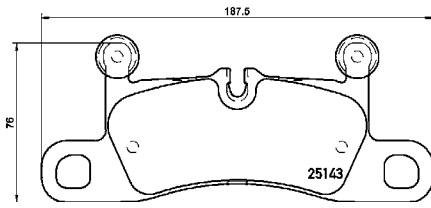


Hella Pagid Brake Systems is one of the leading providers of brake systems in the independent aftermarket, supplying an extensive range of products. We now also offer our outstanding technology, meeting the toughest demands, for the Porsche 911. Here, you'll find a brief overview of the relevant article numbers and models.

Long article number	Short article number	Product	Vehicle NEW / New-to-Market	Years of Production
8DB 355 023-371	T2158	Brake Pads RA	911 (991); 911 CONVERTIBLE (991); 911 TARGA (991); BOXSTER SPYDER (981); CAYENNE (9YA)	12/11 –

**RELIANCE. TRUST. PERFORMANCE.**

# BRAKE PADS RA



An exceptionally wide range of more than 14,000 products in four areas – brake hydraulics, wearing parts, fluids & chemicals and accessories – sets HELLA PAGID apart.

All our products are notable for their high level of safety, comfort and durability. Almost 100% of existing European vehicles are covered by HELLA PAGID brake pads and brake discs – a clear indication of our aspiration to achieve perfection and of the quality of our products.

And because safety is paramount in braking systems, we work hard to continually update our range of products, anticipating technological developments well in advance.

## OE-Numbers:

99135293902, 9Y0698451J

BRAND	MODEL	YEARS OF PRODUCTION
PORSCHE	<b>911 (991)</b>	<b>12/11 –</b>
	<b>911 Convertible (991)</b>	
	3.0 Carrera	11/15 –
	3.0 Carrera 4	11/15 –
	3.8 Carrera S	12/11 –
	3.8 Carrera 4 S	11/12 –
	3.8 Carrera S / GTS	07/12 –
	3.8 Carrera 4S / 4 GTS	11/12 –
	<b>911 Targa (991)</b>	<b>05/14 –</b>
	911 Targa (991) 3.0 Carrera 4	11/15 –
	911 Targa (991) 3.8 Carrera 4 S	05/14 –
	911 Targa (991) 3.8 Carrera 4S / 4 GTS	05/14 –
	<b>BOXSTER Spyder (981)</b>	<b>07/15 –</b>
	BOXSTER Spyder (981) 3.8	07/15 –
<b>CAYENNE (9YA)</b>	<b>05/17 –</b>	
CAYENNE (9YA) 2.9 S	05/17 –	
CAYENNE (9YA) 3.0 AWD	05/17 –	
CAYENNE (9YA) 4.0 Turbo	05/17 –	



BRAKE SYSTEMS

**BRAKE DISC FOR THE  
MERCEDES-BENZ A 45 AMG**

**NEW**  
**TO MARKET**

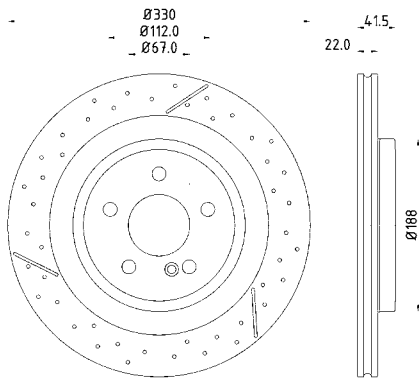


Hella Pagid Brake Systems is one of the leading providers of brake systems in the independent aftermarket, supplying an extensive range of products. We now also offer our outstanding technology, meeting the toughest demands, for the Mercedes-Benz A 45 AMG. Here, you'll find a brief overview of the relevant article numbers and models.

Long article number	Short article number	Product	Vehicle NEW / New-to-Market	Years of Production
8DD 355 126-441	55906PRO_HC	Brake Disc RA	A 45 AMG 4-MATIC (W176), CLA COUPE 45 AMG 4-MATIC (C117), CLA SHOOTING BRAKE 45 AMG 4-MATIC (X117), SLK 55 AMG (R172), SLC 43 AMG (R172), GLA 45 AMG 4-MATIC (W156)	06/13 –

**RELIANCE. TRUST. PERFORMANCE.**

# BRAKE DISC RA



An exceptionally wide range of more than 14,000 products in four areas – brake hydraulics, wearing parts, fluids & chemicals and accessories – sets HELLA PAGID apart.

All our products are notable for their high level of safety, comfort and durability. Almost 100 % of existing European vehicles are covered by HELLA PAGID brake pads and brake discs – a clear indication of our aspiration to achieve perfection and of the quality of our products.

And because safety is paramount in braking systems, we work hard to continually update our range of products, anticipating technological developments well in advance.

## OE-Numbers:

1724230112, A1724230112

BRAND	MODEL	YEARS OF PRODUCTION
MERCEDES-BENZ	A 45 AMG 4-MATIC (W176)	06/13 –
	CLA COUPE 45 AMG 4-MATIC (C117)	07/13 –
	CLA SHOOTING BRAKE 45 AMG 4-MATIC (X117)	01/15 –
	SLK 55 AMG (R172)	01/12 –
	SLC 43 AMG (R172)	01/16 –
	GLA 45 AMG 4-MATIC (W156)	05/14 –





BRAKE SYSTEMS

**BRAKE PADS FOR THE  
JAGUAR F-PACE**

**NEW**  
**TO MARKET**

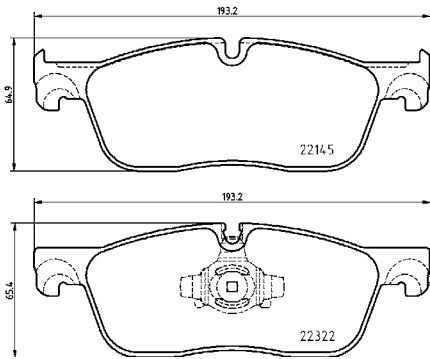


Hella Pagid Brake Systems is one of the leading providers of brake systems in the independent aftermarket, supplying an extensive range of products. We now also offer our outstanding technology, meeting the toughest demands, for the Jaguar F-PACE. Here, you'll find a brief overview of the relevant article numbers and models.

Long article number	Short article number	Product	Vehicle NEW / New-to-Market	Years of Production
8DB 355 024-741	T2512	Brake Pads FA	F-PACE (X761), XE (X760), XEL, XF (X260), XF SPORTBRAKE (X260)	03/15 -

**RELIANCE. TRUST. PERFORMANCE.**

# BRAKE PADS FA



An exceptionally wide range of more than 14,000 products in four areas – brake hydraulics, wearing parts, fluids & chemicals and accessories – sets HELLA PAGID apart.

All our products are notable for their high level of safety, comfort and durability. Almost 100 % of existing European vehicles are covered by HELLA PAGID brake pads and brake discs – a clear indication of our aspiration to achieve perfection and of the quality of our products.

And because safety is paramount in braking systems, we work hard to continually update our range of products, anticipating technological developments well in advance.

## OE-Numbers:

LR090689, T4N13434, T4N9760

BRAND	MODEL	YEARS OF PRODUCTION
JAGUAR	F-PACE (X761) XE (X760) XEL XF (X260) XF SPORTBRAKE (X260)	03/15 –
	2.0	03/15 –
	2.0 AWD	02/17 –
	2.0 D	09/15 –
	2.0 D AWD	09/15 –
	3.0 AWD	09/15 –
	3.0 D AWD	09/15 –



BRAKE SYSTEMS

**BRAKE CALIPERS FOR THE  
MERCEDES-BENZ GLE**

**NEW**  
**TO MARKET**



Hella Pagid Brake Systems is one of the leading providers of brake systems in the independent aftermarket, supplying an extensive range of products. We now also offer our outstanding technology, meeting the toughest demands, for the Mercedes-Benz GLE. Here, you'll find a brief overview of the relevant article numbers and models.

Long article number	Short article number	Product	Vehicle NEW / New-to-Market	Years of Production
8AC 355 397-761 8AC 355 397-771	AC9776 AC9777	Brake Calipers FA Position: left/right	GLE (W166), GLE Coupé (C292), M-CLASS (W166)	06/11 –

**RELIANCE. TRUST. PERFORMANCE.**

# BRAKE CALIPERS FA



An exceptionally wide range of more than 14,000 products in four areas – brake hydraulics, wearing parts, fluids & chemicals and accessories – sets HELLA PAGID apart.

All our products are notable for their high level of safety, comfort and durability. Almost 100% of existing European vehicles are covered by HELLA PAGID brake pads and brake discs – a clear indication of our aspiration to achieve perfection and of the quality of our products.

And because safety is paramount in braking systems, we work hard to continually update our range of products, anticipating technological developments well in advance.

**OE-Numbers:**

1664210581, 1664210681

BRAND	MODEL	YEARS OF PRODUCTION
MERCEDES-BENZ	<b>GLE (W166) GLE Coupé (C292)</b>	<b>03/15 -</b>
	250 d	03/15 -
	250 d 4-matic	04/15 -
	350 d 4-matic	03/15 -
	<b>M-Klasse (W166)</b>	<b>06/11 - 12/15</b>
	ML 250 CDI / BlueTEC 4-matic	06/11 - 12/15
	ML 300 4-matic	08/12 - 02/15
	ML 350 4-matic	06/11 - 12/15
	ML 350 BlueTEC 4-matic	06/11 - 02/15



BRAKE SYSTEMS

**BRAKE DISCS FOR THE  
MERCEDES-BENZ  
G 65 AMG / G 63 AMG /  
G 63 AMG 6X6 / G 55 AMG**

**NEW**  
**TO MARKET**

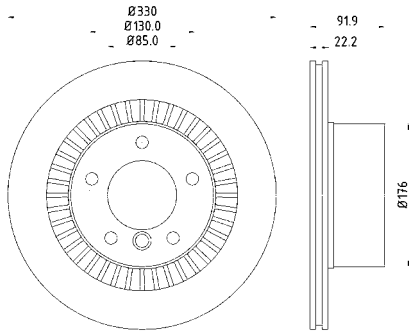


Hella Pagid Brake Systems is one of the leading providers of brake systems in the independent aftermarket, supplying an extensive range of products. We now also offer our outstanding technology, meeting the toughest demands, for the Mercedes-Benz G 65 AMG, G 63 AMG, G 63 AMG 6x6 and G 55 AMG. Here, you'll find a brief overview of the relevant article numbers and models.

Long article number	Short article number	Product	Vehicle NEW / New-to-Market	Years of Production
8DD 355 126-331	55619PRO_HC	Brake Disc RA	G 65 AMG, G 63 AMG, G 63 AMG 6x6, G 55 AMG (W463)	06/04 -

**RELIANCE. TRUST. PERFORMANCE.**

# BRAKE DISCS RA



An exceptionally wide range of more than 14,000 products in four areas – brake hydraulics, wearing parts, fluids & chemicals and accessories – sets HELLA PAGID apart.

All our products are notable for their high level of safety, comfort and durability. Almost 100 % of existing European vehicles are covered by HELLA PAGID brake pads and brake discs – a clear indication of our aspiration to achieve perfection and of the quality of our products.

And because safety is paramount in braking systems, we work hard to continually update our range of products, anticipating technological developments well in advance.

## OE-Numbers:

4634230012, 4634230112, A4634230012, A4634230112

BRAND	MODEL	YEARS OF PRODUCTION
MERCEDES-BENZ	G-KLASSE	06/04 –
	G 55 AMG	06/04 –
	G 63 AMG	05/12 –
	G 63 AMG 6x6	12/14 –
	G 65 AMG	01/15 –



BRAKE SYSTEMS

**BRAKE PADS FOR THE  
AUDI A4**

**NEW**  
**TO MARKET**

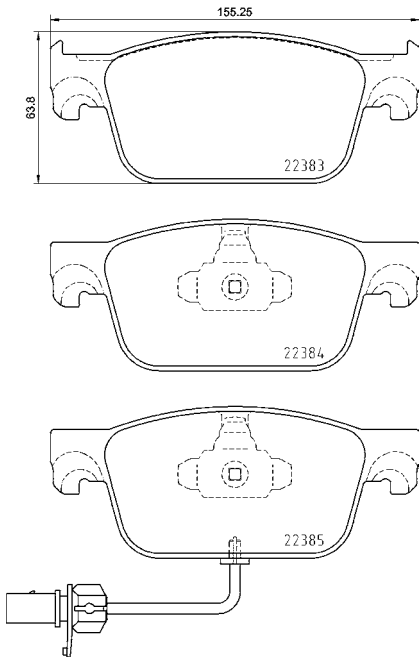


Hella Pagid Brake Systems is one of the leading providers of brake systems in the independent aftermarket, supplying an extensive range of products. We now also offer our outstanding technology, meeting the toughest demands, for the Audi A4. Here, you'll find a brief overview of the relevant article numbers and models.

Long article number	Short article number	Product	Vehicle NEW / New-to-market	Years of Production
8DB 355 024-951	T2549	Brake Pad FA	A4 (8W2, B9), A4 Allroad (8WH, B9), A4 Avant (8W5, B9)	05/15 -

**RELIANCE. TRUST. PERFORMANCE.**

# BRAKE PAD FA



An exceptionally wide range of more than 14,000 products in four areas – brake hydraulics, wearing parts, fluids & chemicals and accessories – sets HELLA PAGID apart.

All our products are notable for their high level of safety, comfort and durability. Almost 100 % of existing European vehicles are covered by HELLA PAGID brake pads and brake discs – a clear indication of our aspiration to achieve perfection and of the quality of our products.

And because safety is paramount in braking systems, we work hard to continually update our range of products, anticipating technological developments well in advance.

**OE-Numbers:**

**8W0698151AG, 8W0698151K, 8W0698151Q**

BRAND	MODEL	YEARS OF PRODUCTION
AUDI	A4 (8W2, B9), A4 Allroad (8WH, B9), A4 Avant (8W5, B9)	05/15 –
	1.4 TFSI	08/15 –
	2.0 TFSI	05/15 –
	2.0 TFSI quattro	05/15 –
	S4 quattro	05/16 –
	2.0 TDI	05/15 –
	2.0 TDI quattro	09/15 –
	3.0 TDI	09/15 –
	3.0 TDI quattro	05/15
	2.0 TFSI g-tron	11/16 –





BRAKE SYSTEMS

**BRAKE PADS FOR THE  
FIAT 500X**

**NEW**  
**TO MARKET**

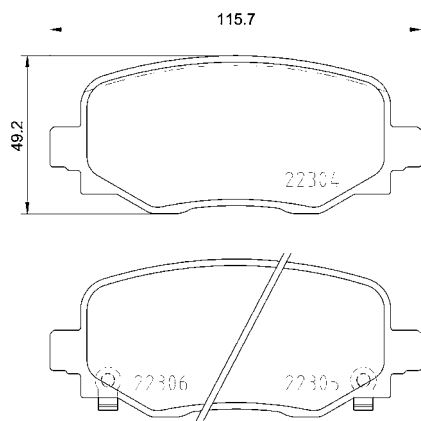


Hella Pagid Brake Systems is one of the leading providers of brake systems in the independent aftermarket, supplying an extensive range of products. We now also offer our outstanding technology, meeting the toughest demands, for the Fiat 500X. Here, you'll find a brief overview of the relevant article numbers and models.

Long article number	Short article number	Product	Vehicle NEW / New-to-market	Years of Production
8DB 355 025-481	T2446	Bremsbelag HA	500X (334_)	09/14 -

**RELIANCE. TRUST. PERFORMANCE.**

# BRAKE PAD RA



An exceptionally wide range of more than 14,000 products in four areas – brake hydraulics, wearing parts, fluids & chemicals and accessories – sets HELLA PAGID apart.

All our products are notable for their high level of safety, comfort and durability. Almost 100 % of existing European vehicles are covered by HELLA PAGID brake pads and brake discs – a clear indication of our aspiration to achieve perfection and of the quality of our products.

And because safety is paramount in braking systems, we work hard to continually update our range of products, anticipating technological developments well in advance.

## OE-Numbers:

77367145, 77367417

BRAND	MODEL	YEARS OF PRODUCTION
FIAT	500X (334_)	09/14 –
	1.4 LPG	03/17 –
	1.4	09/14 –
	1.4 (334AXC1B, 334AXC11)	09/14 –
	1.4 4x4	02/15 –
	1.6	11/14 –
	1.6 D Multijet	09/14 –
	2.0 D Multijet 4x4	09/14 –



BRAKE SYSTEMS

**BRAKE PADS FOR THE  
FORD F-150**

**NEW**  
**TO MARKET**

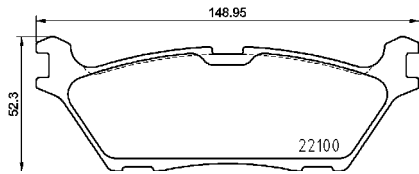


Hella Pagid Brake Systems is one of the leading providers of brake systems in the independent aftermarket, supplying an extensive range of products. We now also offer our outstanding technology, meeting the toughest demands, for the Ford F-150. Here, you'll find a brief overview of the relevant article numbers and models.

Long article number	Short article number	Product	Vehicle NEW / New-to-market	Years of Production
8DB 355 025-731	T2597	Brake Pad RA	F-150 Crew Cab Pickup, F-150 Extended Cab Pickup, F-150 Standard Cab Pickup	09/14 –

**RELIANCE. TRUST. PERFORMANCE.**

# BRAKE PAD RA



An exceptionally wide range of more than 14,000 products in four areas – brake hydraulics, wearing parts, fluids & chemicals and accessories – sets HELLA PAGID apart.

All our products are notable for their high level of safety, comfort and durability. Almost 100 % of existing European vehicles are covered by HELLA PAGID brake pads and brake discs – a clear indication of our aspiration to achieve perfection and of the quality of our products.

And because safety is paramount in braking systems, we work hard to continually update our range of products, anticipating technological developments well in advance.

**OE-Numbers:**  
**FL3Z2200A**

BRAND	MODEL	YEARS OF PRODUCTION
FORD	F-150 Crew Cab Pickup, F-150 Extended Cab Pickup, F-150 Standard Cab Pickup	09/14 –
	2.7	09/14 –
	2.7 4WD	09/14 –
	3.5	09/14 –
	3.5 4WD	09/14 –
	3.5 Flexfuel	09/14 –
	3.5 Flexfuel 4WD	09/14 –
	5.0	09/14 –
	5.0 4WD	09/14 –
	5.0 Flexfuel	09/14 –
	5.0 Flexfuel 4WD	09/14 –



**PAGID**

BRAKE SYSTEMS

**BRAKE PADS FOR THE  
JAGUAR F-TYPE**

**NEW**  
**TO MARKET**

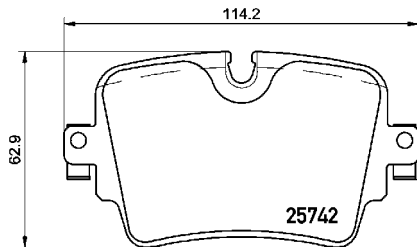


Hella Pagid Brake Systems is one of the leading providers of brake systems in the independent aftermarket, supplying an extensive range of products. We now also offer our outstanding technology, meeting the toughest demands, for the Jaguar F-TYPE. Here, you'll find a brief overview of the relevant article numbers and models.

Long article number	Short article number	Product	Vehicle NEW / New-to-market	Years of Production
8DB 355 021-391	T2286	Brake Pad RA	F-TYPE, F-TYPE S, F-TYPE 400, F-TYPE R, F-TYPE SVR (X152)	10/12 -

**RELIANCE. TRUST. PERFORMANCE.**

# BRAKE PAD RA



An exceptionally wide range of more than 14,000 products in four areas – brake hydraulics, wearing parts, fluids & chemicals and accessories – sets HELLA PAGID apart.

All our products are notable for their high level of safety, comfort and durability. Almost 100% of existing European vehicles are covered by HELLA PAGID brake pads and brake discs – a clear indication of our aspiration to achieve perfection and of the quality of our products.

And because safety is paramount in braking systems, we work hard to continually update our range of products, anticipating technological developments well in advance.

**OE-Numbers:**

**C2D49907, T2R7946**

BRAND	MODEL	YEARS OF PRODUCTION
JAGUAR	F-TYPE COUPE & CONVERTIBLE (X152)	10/12 –
	2.0 i4	07/17 –
	3.0	10/13 –
	3.0 S	10/13 –
	3.0 S AWD	12/14 –
	400	11/16 –
	400 AWD	11/16 –
	5.0 S	10/12 –
	5.0 R	10/13 –
	5.0 R AWD	12/14 –
	5.0 SVR	12/15 –



BRAKE SYSTEMS

**BRAKE PADS FOR THE  
MERCEDES-BENZ GLC**

**NEW**  
**TO MARKET**

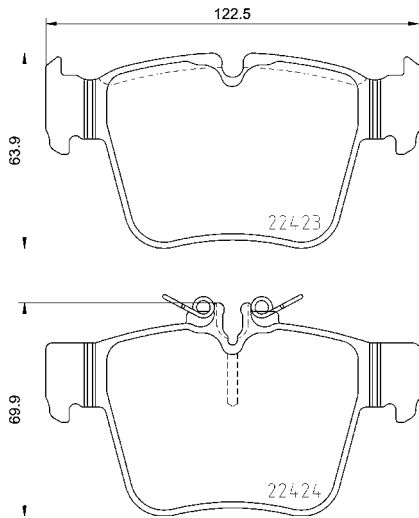


Hella Pagid Brake Systems is one of the leading providers of brake systems in the independent aftermarket, supplying an extensive range of products. We now also offer our outstanding technology, meeting the toughest demands, for the Mercedes-Benz GLC. Here, you'll find a brief overview of the relevant article numbers and models.

Long article number	Short article number	Product	Vehicle NEW / New-to-market	Years of Production
8DB 355 024-991	T2567	Bremsbelag HA	GLC (X253), GLC Coupé (C253)	06/15 –

**RELIANCE. TRUST. PERFORMANCE.**

# BRAKE PAD RA



An exceptionally wide range of more than 14,000 products in four areas – brake hydraulics, wearing parts, fluids & chemicals and accessories – sets HELLA PAGID apart.

All our products are notable for their high level of safety, comfort and durability. Almost 100% of existing European vehicles are covered by HELLA PAGID brake pads and brake discs – a clear indication of our aspiration to achieve perfection and of the quality of our products.

And because safety is paramount in braking systems, we work hard to continually update our range of products, anticipating technological developments well in advance.

## OE-Numbers:

0004205200, 0004205900, 0004208300, A0004205200, A0004205900, A0004208300

BRAND	MODEL	YEARS OF PRODUCTION
MERCEDES-BENZ	GLC (X253), GLC Coupé (C253)	06/15 –
	250 4-matic	06/15 –
	300 4-matic	07/15 –
	350 e 4-matic	01/16 –
	AMG 43 4-matic	04/16 –
	220d 4-matic	06/15 –
	250d 4-matic	06/15 –
	350d 4-matic	10/16 –





BRAKE SYSTEMS

**BRAKE DISCS FOR THE  
MERCEDES-BENZ CLS**

**NEW**  
**TO MARKET**

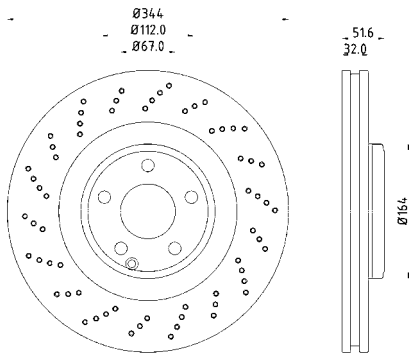


Hella Pagid Brake Systems is one of the leading providers of brake systems in the independent aftermarket, supplying an extensive range of products. We now also offer our outstanding technology, meeting the toughest demands, for the Mercedes-Benz CLS. Here, you'll find a brief overview of the relevant article numbers and models.

Long article number	Short article number	Product	Vehicle NEW / New-to-market	Years of Production
8DD 355 126-381	55899PRO_HC	Bremsscheibe VA	CLS (C218), CLS Shooting Brake (X218)	01/11 – 05/17

**RELIANCE. TRUST. PERFORMANCE.**

# BRAKE DISC FA



An exceptionally wide range of more than 14,000 products in four areas – brake hydraulics, wearing parts, fluids & chemicals and accessories – sets HELLA PAGID apart.

All our products are notable for their high level of safety, comfort and durability. Almost 100 % of existing European vehicles are covered by HELLA PAGID brake pads and brake discs – a clear indication of our aspiration to achieve perfection and of the quality of our products.

And because safety is paramount in braking systems, we work hard to continually update our range of products, anticipating technological developments well in advance.

## OE-Numbers:

2184210412, A2184210412

BRAND	MODEL	YEARS OF PRODUCTION
MERCEDES-BENZ	CLS (C218), CLS Shooting Brake (X218)	01/11 – 05/17
	CLS 350	10/12 – 05/17
	CLS 400	05/14 – 05/17
	CLS 400 4-matic	07/14 – 05/17
	CLS 350 BlueTEC / d 4-matic	05/14 – 05/17
	CLS 350 BlueTEC / d	05/14 – 05/17
	CLS 350 d 4-matic	04/15 – 05/17
	CLS 350 CDI / d	11/12 – 05/17
	CLS 350 CDI / d 4-matic	11/12 – 05/17